

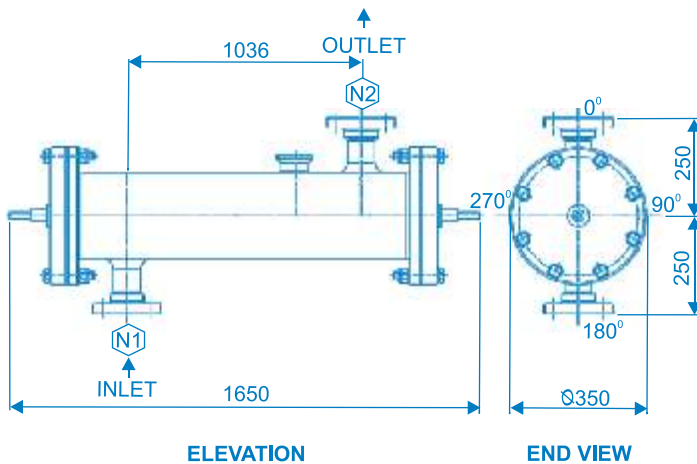
# KLOROGEN HB2K

## PARALLEL PLATE

### ELECTROLYZER

**BRINE**  
Electrolyzer

#### DIMENSION SPECIFICATION



MARK	QTY	SERVICE	NB	RATING	BOLT HOLE PATTERN
N1	1	BRINE INLET	50	150#	ANSI B16.5 (OFF Crs.)
N2	1	HYPOCHLORITE OUTLET	50	150#	ANSI B16.5 (OFF Crs.)

All dimensions are in mm.

#### CONSTRUCTION SPECIFICATION

CAPACITY	MOUNTING TYPE	BODY	ANODE	CATHODE	SPACER
2 Kg/hr	HORIZONTAL	PVC + FRVE	TITANIUM Gr.2 WITH PRECIOUS METAL OXIDE COATING	TITANIUM Gr.2	PTFE

[www.electrochlorinator.com](http://www.electrochlorinator.com)

**KLOROGEN**<sup>®</sup>  
Registered Trademark of Titanium Tantalum Products Limited.  
sales@titanindia.com  
[www.titanindia.com](http://www.titanindia.com)

**Titanium Tantalum Products Limited**  
86/1, Vengaivasal Main Road,  
Gowrivakkam, Chennai 600 073, INDIA  
☎ +91-44-22781210/0211/0212  
☎ +91-44-22780209

**TITAN**<sup>®</sup>  
SINCE 1981